



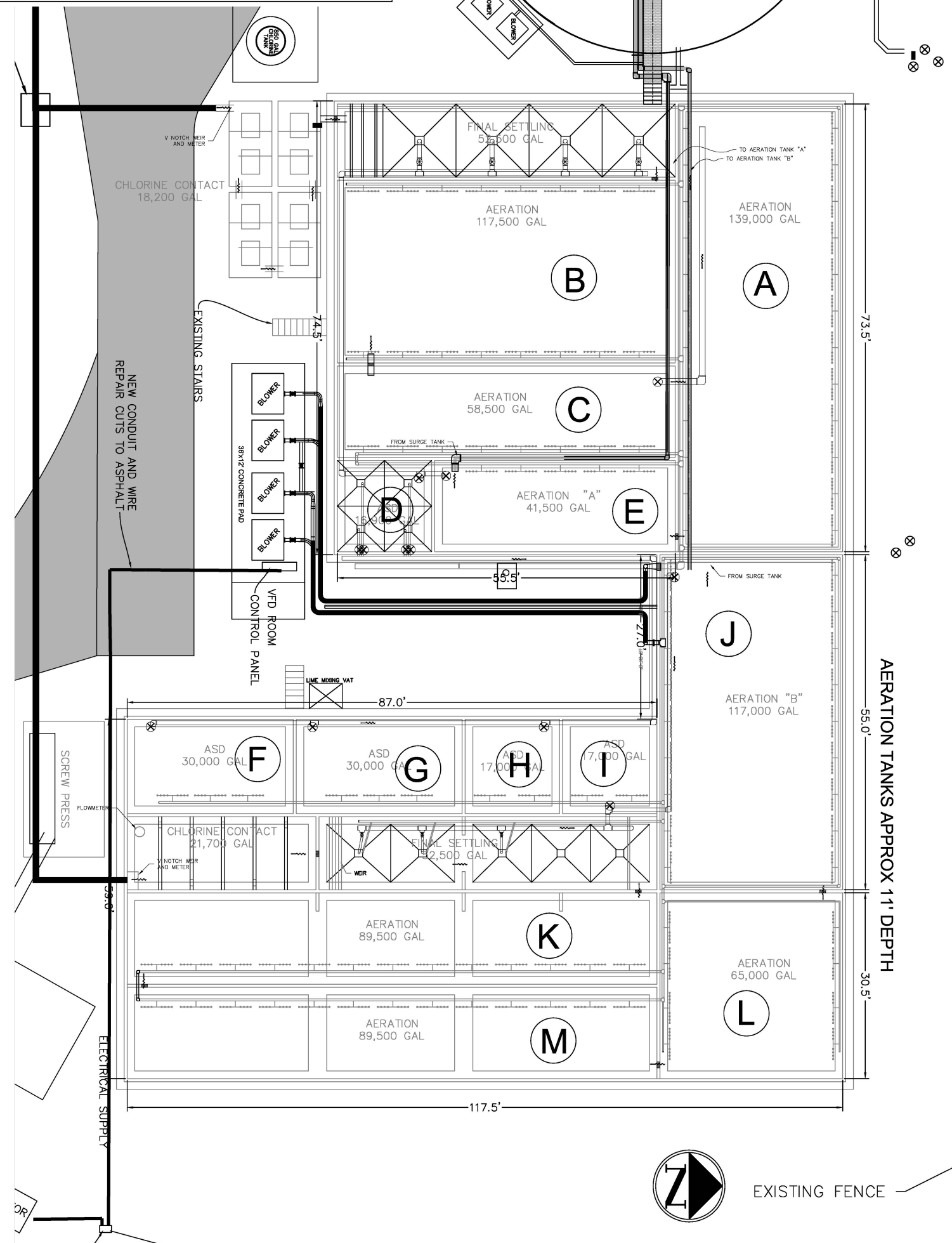
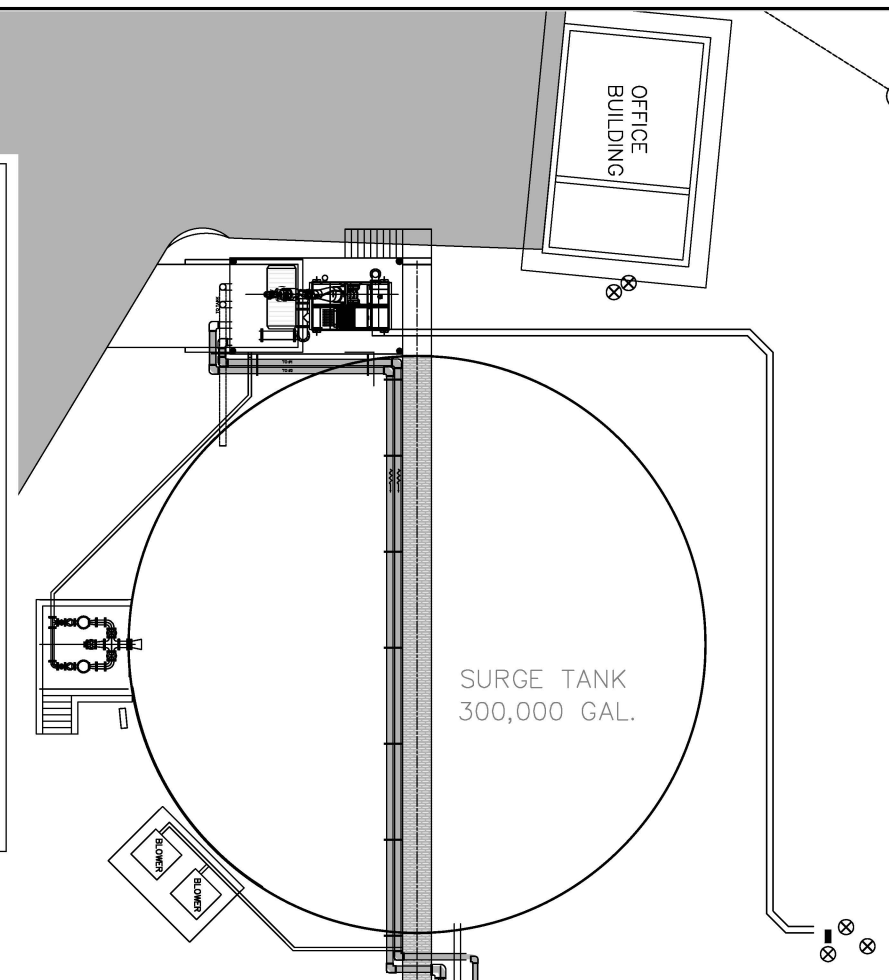
RFP: 20-04
Unit 23 WWTP Diffuser Replacements - Bid Sheet

Item	Total Cost
125 - Stainless Diffuser Assemblies Installed	\$
(Includes all materials and labor for a complete job)	
125 - Galvanized Diffuser Assemblies Installed	\$
(Includes all materials and labor for a complete job)	
Optional Pricing:	
(Discount) or Add for Marine Hose & Stainless Clamps (as alternate to Stainless unions)	\$
(Discount) or Add for Marine Hose & Stainless Clamps (as alternate to Galvanized unions)	\$
Materials Only: (Optional)	
125 - Stainless Diffuser Assemblies	\$
(All Stainless Unions and Fittings, Include angle brackets, fasteners and clamp hardware)	
125 - Galvanized Diffuser Assemblies	\$
(Galvanized Unions and Fittings, include angle brackets, fasteners and clamp hardware)	
Labor Only: (Optional)	
Labor for installation of 125 Diffuser Assemblies	\$
(Including removal and disposal of existing diffusers)	

****THIS FORM MUST BE COMPLETED AND RETURNED WITH YOUR PROPOSAL**

AVERAGE OF ALL AERATION TANKS ARE 11.5' AND SETTING THE DIFFUSERS 6 INCHES OFF THE FLOOR. NUMBER OF FEET GIVEN, IS THE ESTIMATED 11' FROM WALKWAY TO BOTTOM OF DIFFUSER THEN HEIGHT ADDED TO THE TOP OF 90 WHERE DIFFUSER ATTACHES TO UNION.

- A= 1) 12.4' X 9 DIFFUSERS. SOUTH SIDE OF TANK.
- 1A) 12. 75'X 3 DIFFUSERS. SOUTHEAST SIDE OF TANK.
- 2)12.2' X 12 DIFFUSERS. NORTH SIDE OF TANK.
- B= 12.25' X 18 DIFFUSERS.
- C= 11.4' X 9 DIFFUSERS.
- D= 11.4' X 1 DIFFUSERS.
- E= 11.4' X 11 DIFFUSERS.
- F= 13' X 3 DIFFUSERS.
- G= 13' X 3 DIFFUSERS.
- H= 12.8' X 2 DIFFUSERS.
- I= 12.5' X 2 DIFFUSERS.
- J= 1) 12.6' X 9 DIFFUSERS. SOUTH SIDE OF TANK.
- 2)12.25' X 9 DIFFUSERS. NORTH SIDE OF TANK.
- K= 13' X 13 DIFFUSERS.
- L= 13.1 X 8 DIFFUSERS.
- M = 13.2 X 13 DIFFUSERS.



UNIT 23 WWTP
 SITE ADDRESS:
 5001 US 27 N.
 SEBRING, FL 33870

DISTRICT OFFICE:
 5306 SUN 'N LAKE BLVD.
 SEBRING, FL 33872

NOTE:
 -TANK DEPTHS ARE APPROXIMATE
 -RISER LENGTHS PROVIDED BY SUN 'N LAKE.

QUANTITY OF DIFFUSERS PER TANK:

- A: 24
- B: 18
- C: 9
- D: 1
- E: 11
- F: 3
- G: 3
- H: 2
- I: 2
- J: 18
- K: 13
- L: 8
- M: 13

TOTAL:125

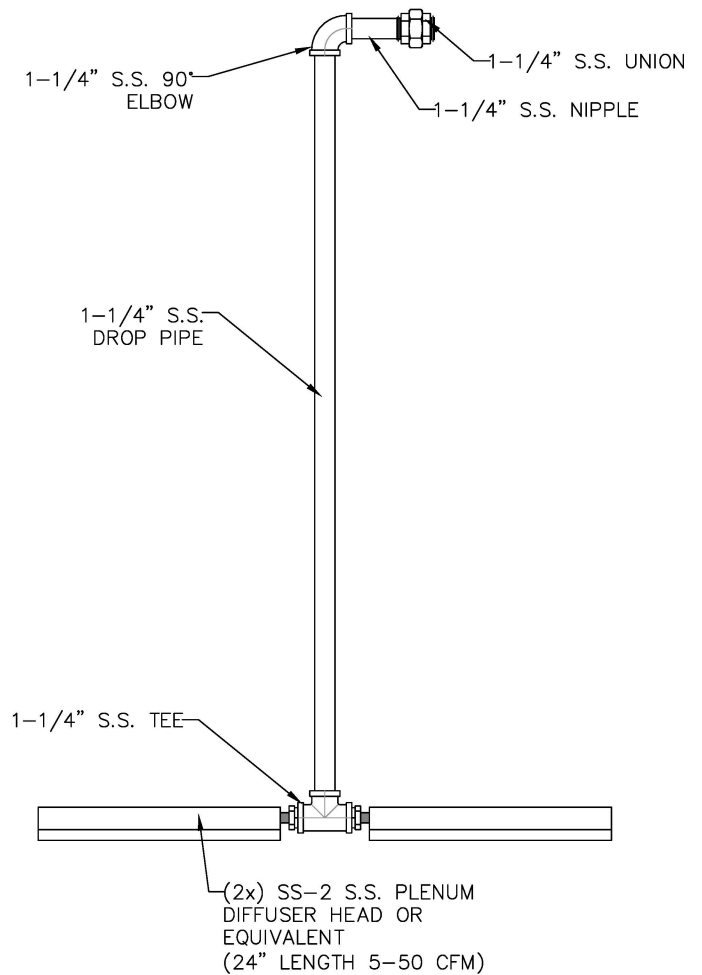
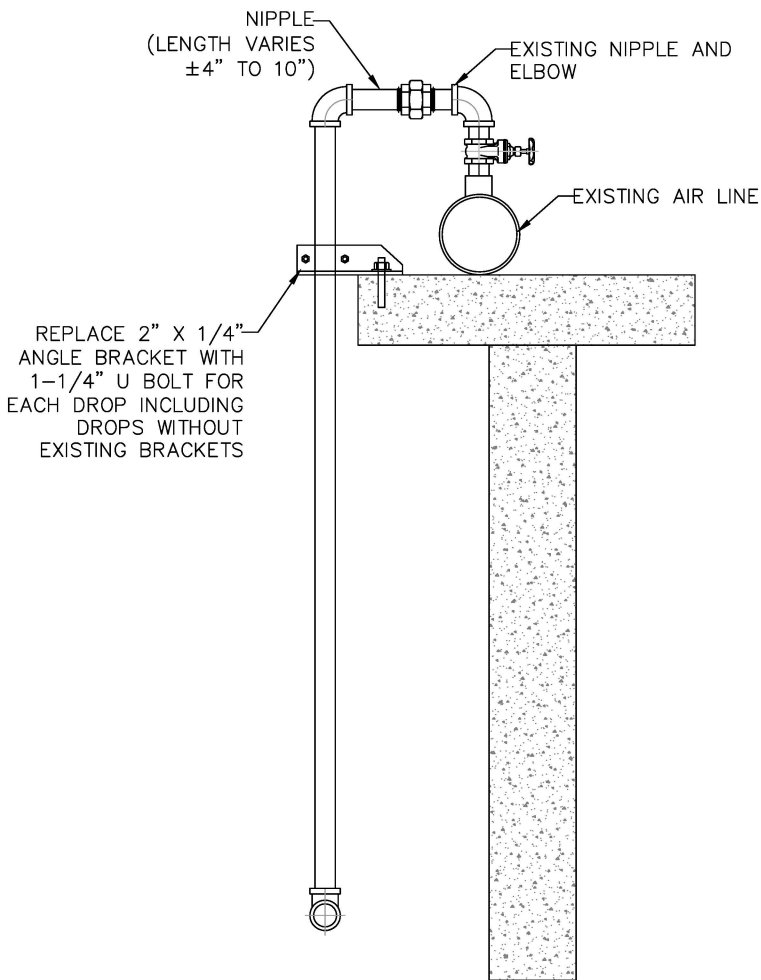
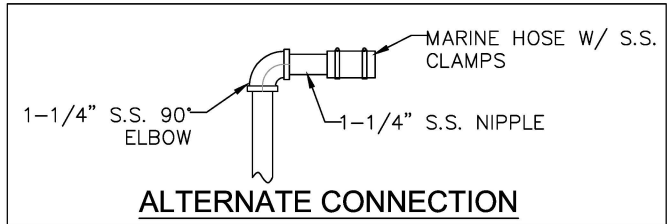
**SUN'N LAKE OF SEBRING
 UNIT 23 WWTP - WWTP #1
 PLAN VIEW**



2925 KENILWORTH BLVD.,
 SEBRING, FLORIDA 33870
 863-385-5564 PHONE
 863-385-2462 FAX
 CERTIFICATE OF AUTHORIZATION # 5684
 ROGER DALE POLSTON P. E. # 33222
 MARVIN LUTHER WOLFE P.E. # 46030

SCALE: 1"=20'	SHEET: 1 OF 1	JOB #:	12031
APPROVED BY:	05-29-20	PLOT	DRJ RDP
DATE	REMARK	DR	CH

NOT VALID UNLESS SEALED



DIFFUSER ASSEMBLY

NOTE: STAINLESS PIPE MATERIALS TO BE GRADE 304

EXAMPLE EXISTING DIFFUSER CONNECTIONS

